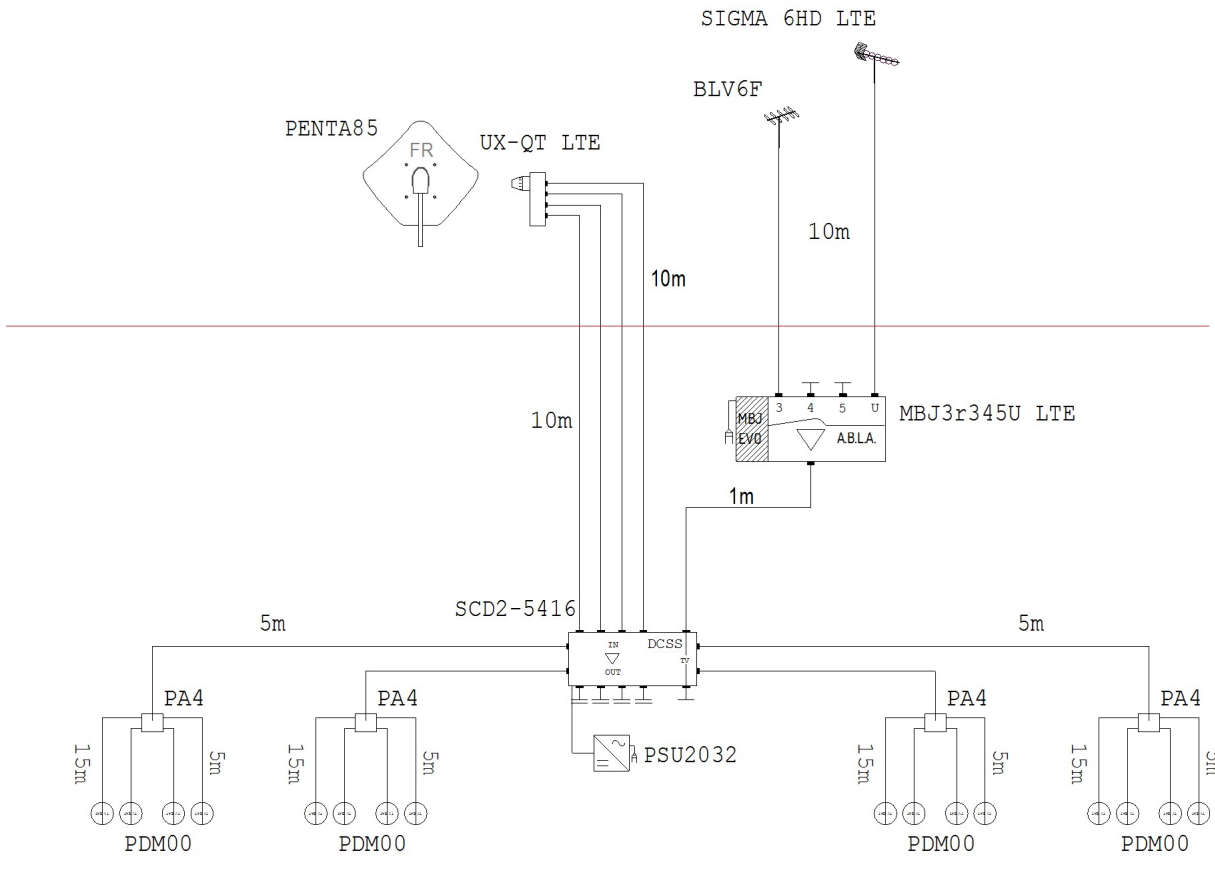


DISTRIBUTION Single Feed TV+SAT dCSS Condominium 1 floor 4 floor apartments



Indication of antennas, antenna holders and preamplifiers from the pole in the scheme is purely indicative, as the choice depends exclusively from the type of TV signal received in the zone of construction of the plant and the structure of the building. The present scheme of proposed maximum does not constitute a project to be drafted by designer enabled stable. The present scheme of maximum proposed does not constitute a project that must be drawn up by a qualified designer.

The sizing of the antennas, mixers, amplifiers and related supports of fixing is purely indicative as the choice depends exclusively by the type of signal received in the area where the system is built.

The lengths of the paths in the diagram are purely indicative.

The plant distribution and simulation are made using a cable with 7mm diameter (PAS4007111).